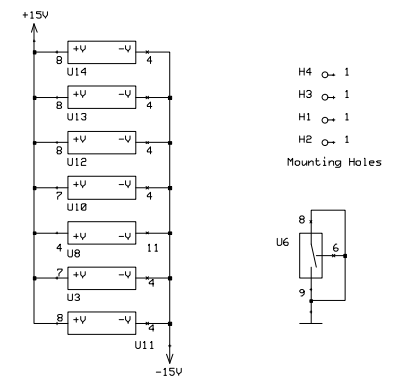
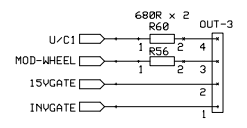
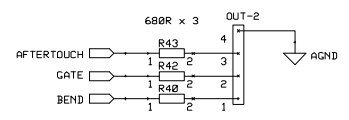
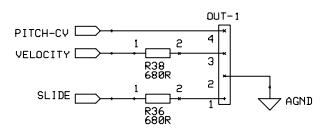
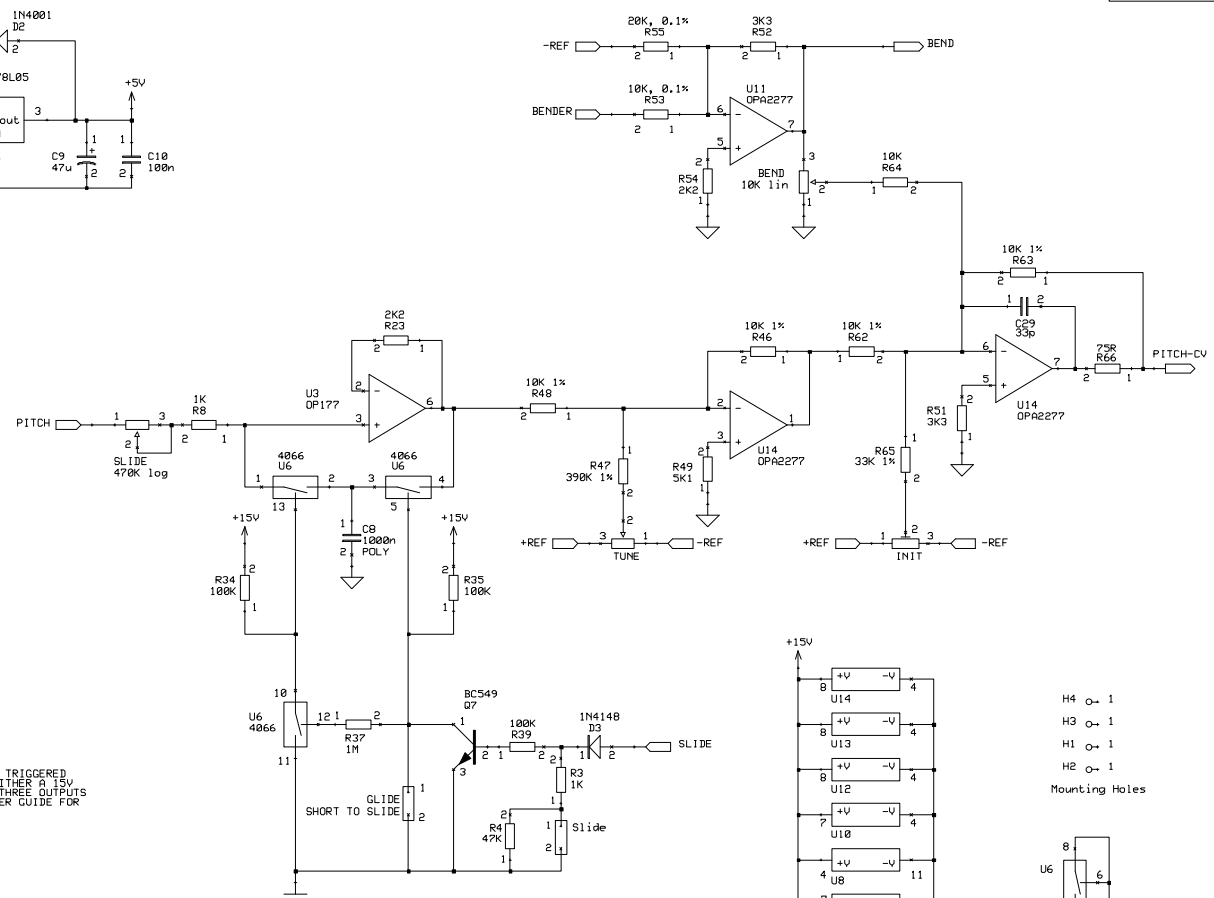
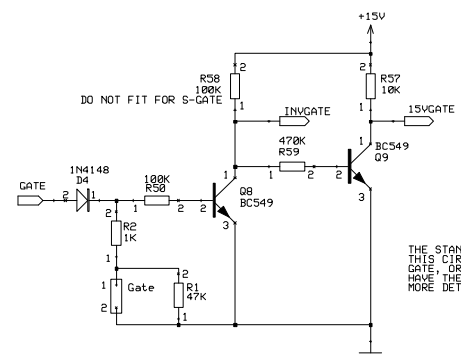
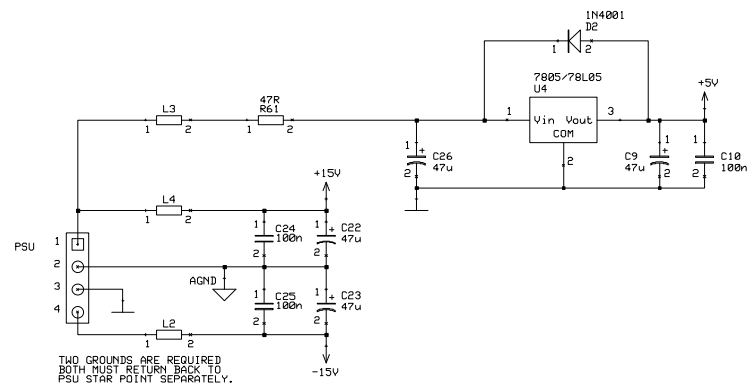


THIS DRAWING IS THE COPYRIGHT
 OF OAKLEY SOUND SYSTEMS.
 UNAUTHORISED DUPLICATION IS FORBIDDEN.
 OAKLEY SOUND SYSTEMS
 PENRITH, UK
 e-mail: oakley@techrepairs.freemove.co.uk

| | |
|----------------------|---------------|
| midiDAC-2 | |
| Oakley Sound Systems | |
| DKG ISS: 1.1 | DATE: 24-6-02 |
| BOARD ISS: 2 | |



THIS DRAWING IS THE COPYRIGHT OF OAKLEY SOUND SYSTEMS. UNAUTHORISED DUPLICATION IS FORBIDDEN. OAKLEY SOUND SYSTEMS PENRITH, UK e-mail: oakley@techrepairs.freemove.co.uk

mididAC-2

Oakley Sound Systems

DWG ISS: 1.1
BOARD ISS: 2

DATE: 24-6-02